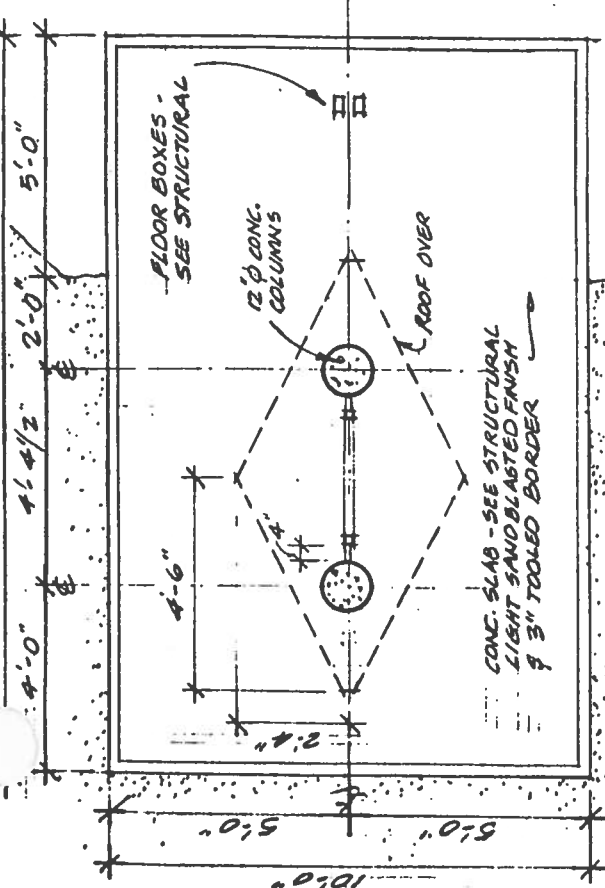


THE "BANTAM MARKER"
FOR THE TRANS CANADA TRAIL

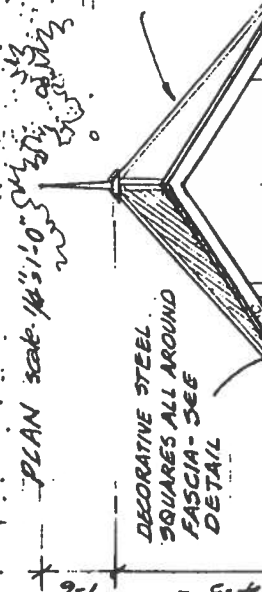
MARCH 26TH 1998

SLAB TO MATCH EXISTING
15'-4 1/2" W.C. AS TRAIL

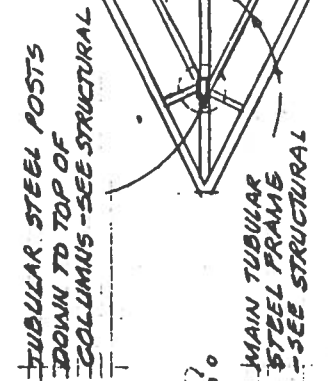


SAME MATERIAL AS TRAIL

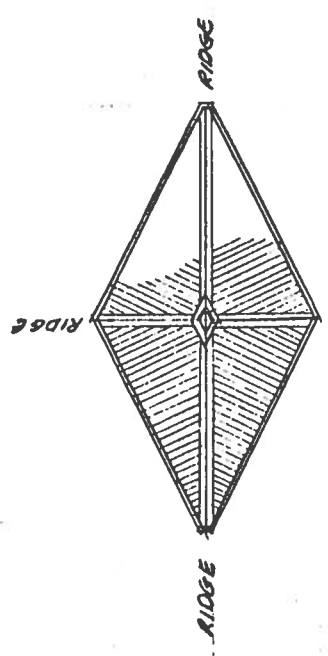
26 GA 7/8" CORRUGATED PREPARED STEEL ROOFING EQUAL TO "VIC WEST STEEL". RIDGES TO MATCH IN PREPARED STEEL. ROOFING COLOUR - GC 386 BRIGHT RED - INTERIOR TO BE WHITE. BOLT ROOFING TO FRAMES THROUGH TOP OF CORRUGATIONS.



ELEVATION scale 1/4" = 1'-0" (TYPICAL)



REFLECTED CEILING PLAN scale 1/4" = 1'-0"



ROOF PLAN scale 1/4" = 1'-0"

NOTE!

- BANTAM MARKER STATISTICS
 - 6 PANELS - 3 PANELS PER SIDE
 - 1 SIGNATURE PANEL
 - 1 PANEL - TOP HALF MAP, BOTTOM HALF CONSULTANTS & DEDICATION
 - 1 MESSAGE PANEL - 45 MESSAGES
 - 3 NAME PANELS @ 536 NAMES/PANEL = 1608 NAMES
- MAKE VANDAL PROOF ALL NUTS & BOLTS

END ELEVATION scale 1/4" = 1'-0" (TYPICAL)

THE "BANTAM MARKER"

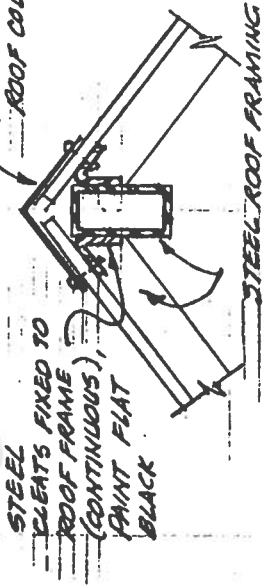
FOR THE TRANS CANADA TRAIL

DRAWING A-1

MAR. 26/98

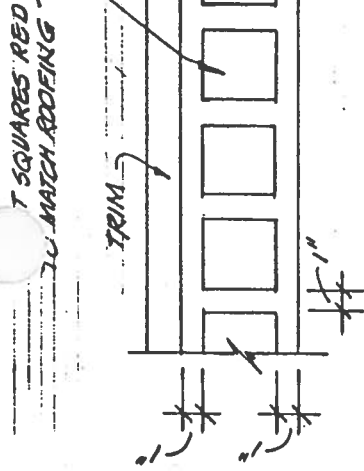
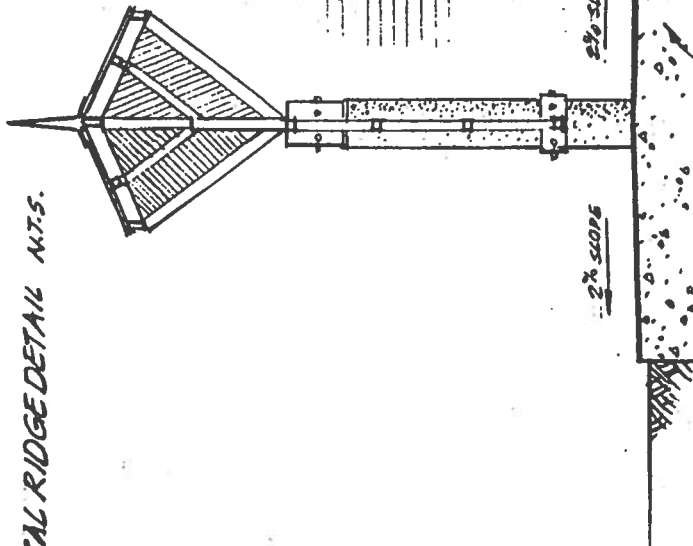
W.G. MILNE ARCHITECT

PREFINISHED GALV STEEL
FLASHING - MATCH
ROOF COLOUR

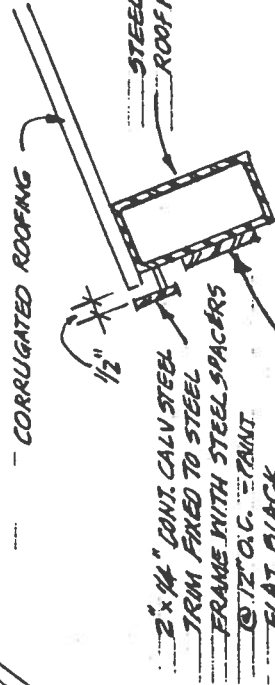


STEEL
CLEATS FIXED TO
ROOF FRAME
(CONTINUOUS),
PAINT FLAT
BLACK

TYPICAL RIDGE DETAIL N.T.S.



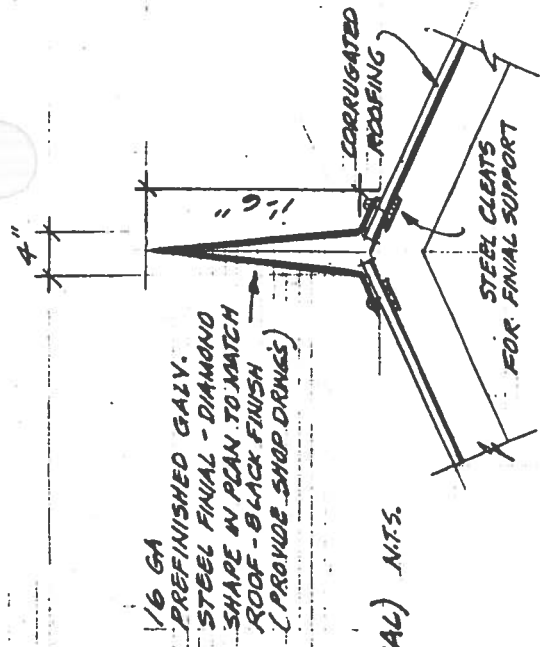
ELEVATION - FASCIA (TYPICAL) N.T.S.



2 x 1/4" CONT. GALV STEEL
TRIM FIXED TO STEEL
FRAME WITH STEEL SPACERS
@ 12" O.C. - PAINT
FLAT BLACK

DECORATIVE GALV STEEL
SQUARES WELDED TO FRAME - SEE
ELEVATION ABOVE

FASCIA DETAIL - TYPICAL N.T.S.



FINIAL DETAIL N.T.S.

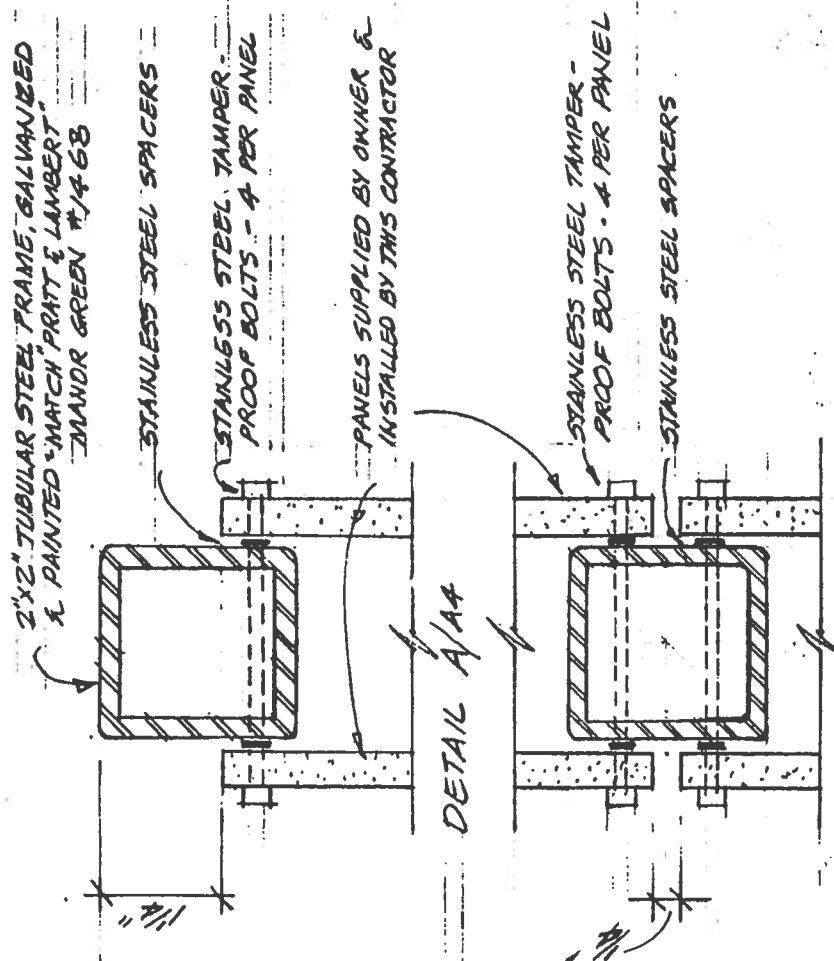
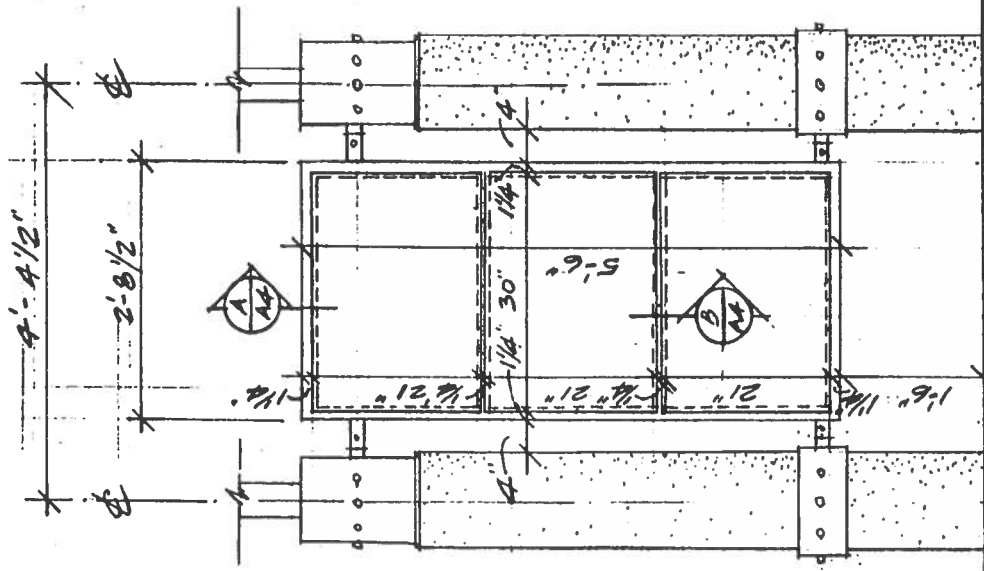
THE "BANTAM MARKER"

FOR THE TRANS CANADA TRAIL

MAR. 26/99

DRAWING : A-2

N.G. MILNE ARCHITECT



ELEVATION - STEEL FRAME & PANELS

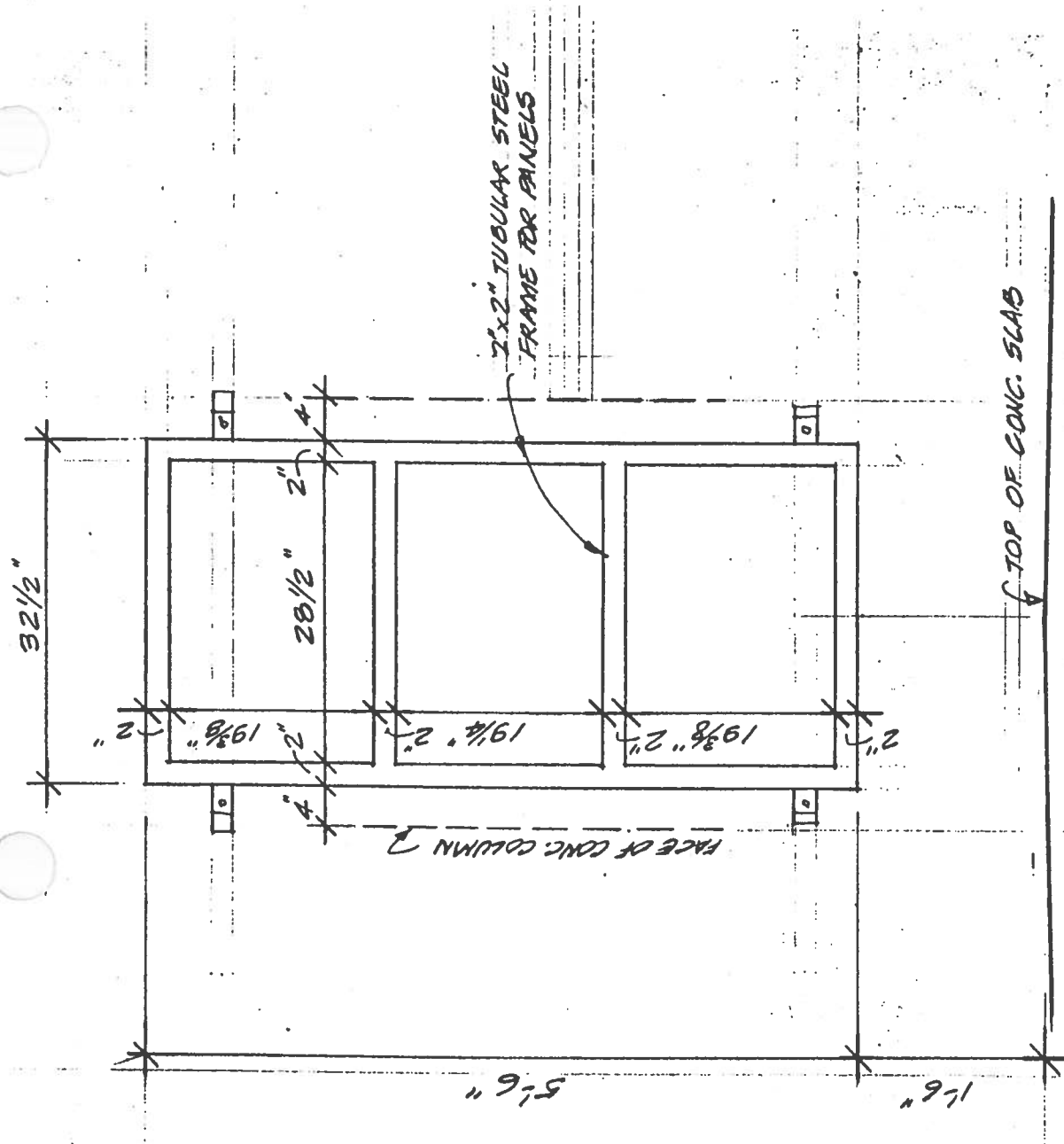
Scale 1/2" = 1'-0"

NOTE!

THE MOUNTING OF THE PANELS IS PART OF THIS CONTRACT.
 THE PANELS WILL BE SUPPLIED & DELIVERED TO THE CONTRACTOR BY THE OWNER.
 PANELS MAY BE INSTALLED ON ONE OR BOTH SIDES

DRAWING A-3
 MAR. 26/98
 W.G. MILNE ARCHITECT

THE "BANTAM MARKER"
 FOR THE TRANS CANADA TRAIL



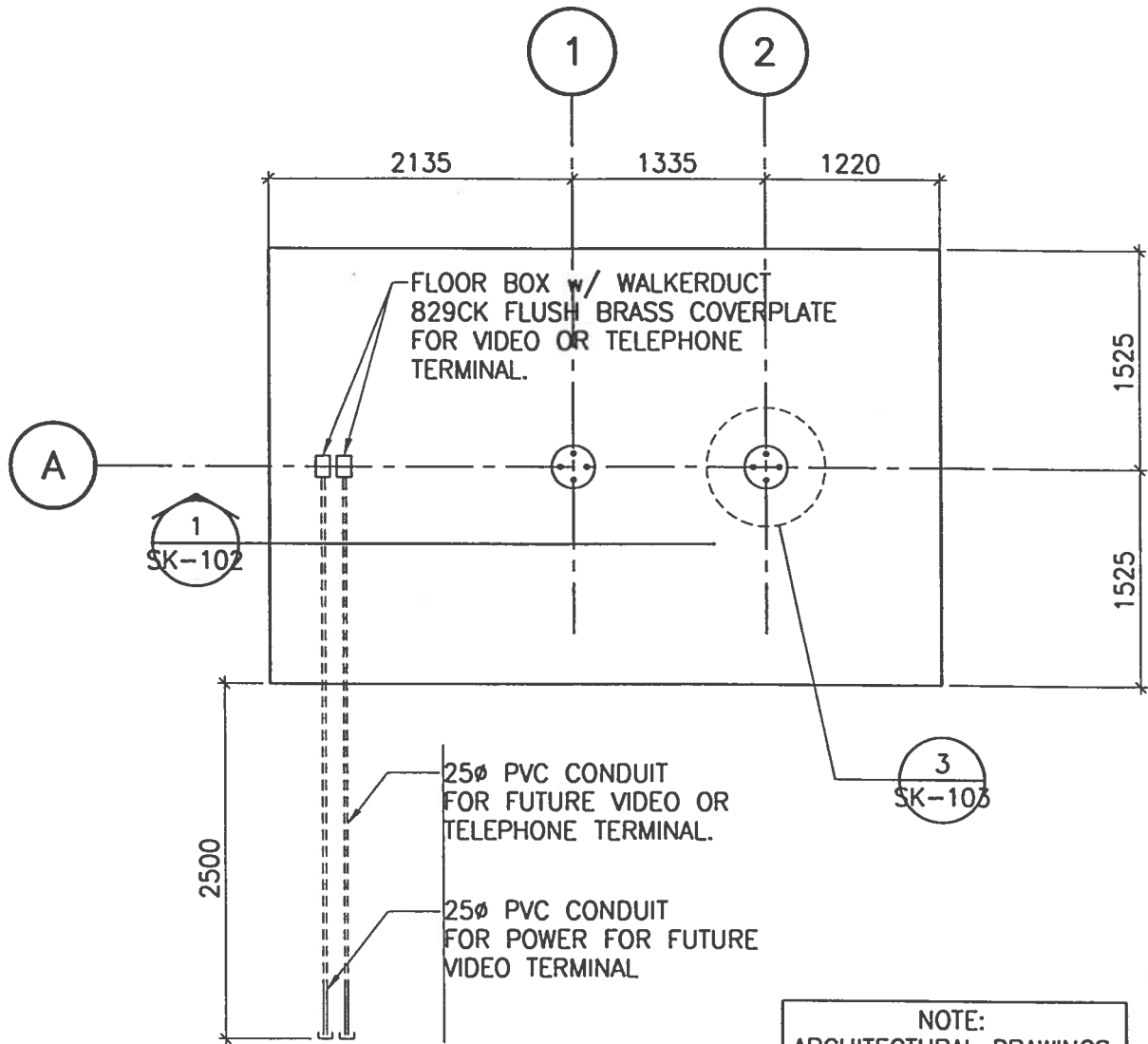
ELEVATION • TUBULAR STEEL FRAME FOR PANELS

DRAWING A-4

THE "BANTAM MARKER"
FOR THE TRANS CANADA TRAIL

MAR. 26/98

W.G. MILNE ARCHITECT



NOTE:
ARCHITECTURAL DRAWINGS
ARE AN INTEGRAL PART
OF THIS SET

PLAN
1:50

STUB AND CAP CONDUITS
BEYOND SLAB



Trans Canada Trail

| NO | DESCRIPTION | DATE |
|----|-------------|------|
| | | |
| | | |

PROJECT: THE BANTAM MARKER

SKETCH No.:

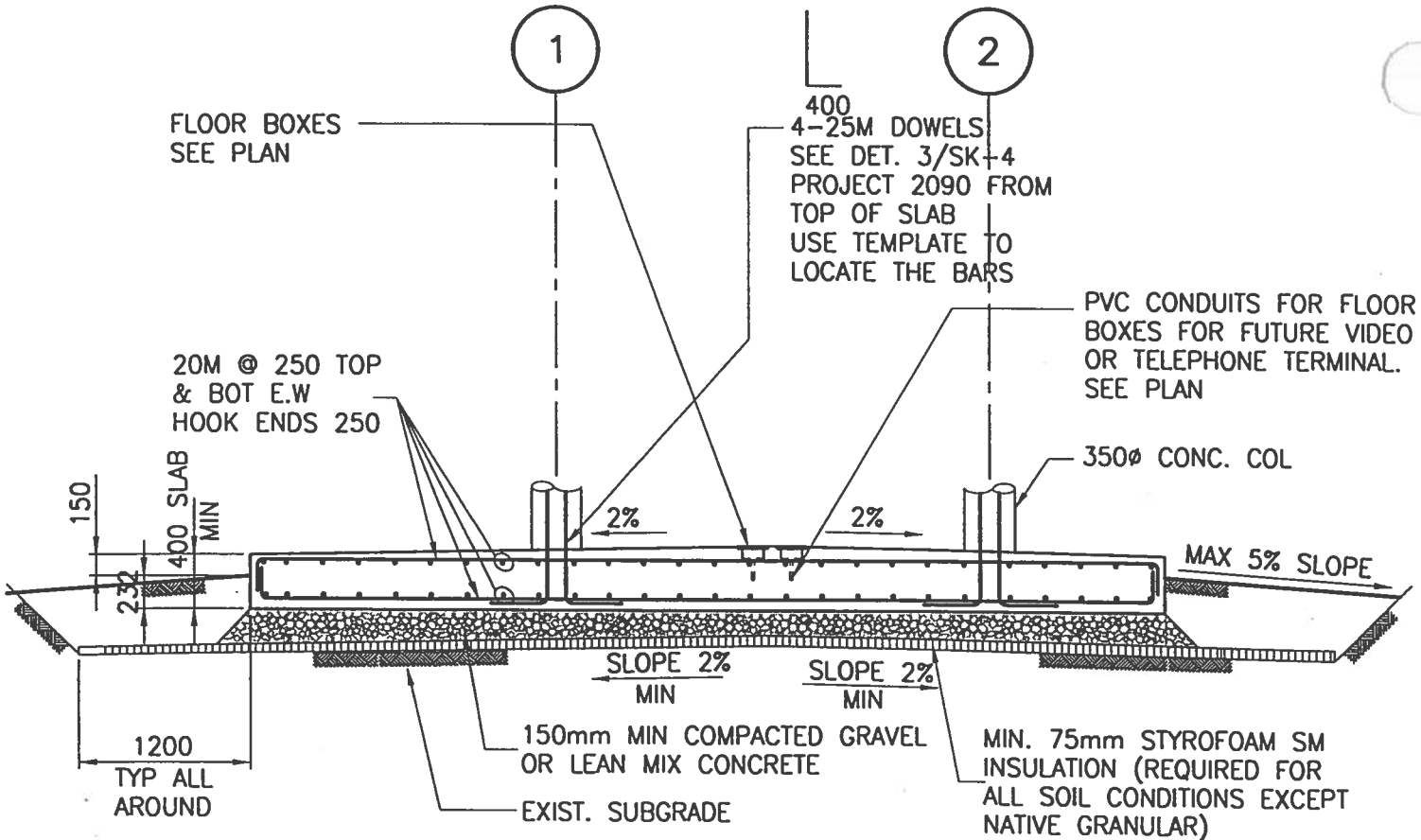
TITLE: PLAN OF FOUNDATION SLAB

SK-S101

DESIGNED: AM DRAWN: GCB DATE: MAR 26, '98 PROJECT No.: 15370590

CAD FILE NAME: C5370590SK-S101





NOTE: CONC. COVER IN SLAB
 BOTTOM - 75mm
 SIDE & TOP - 50mm

1 SECTION
 SK-102 1:50



Trans Canada Trail

| NO | DESCRIPTION | DATE |
|----|-------------|------|

PROJECT: THE BANTAM MARKER

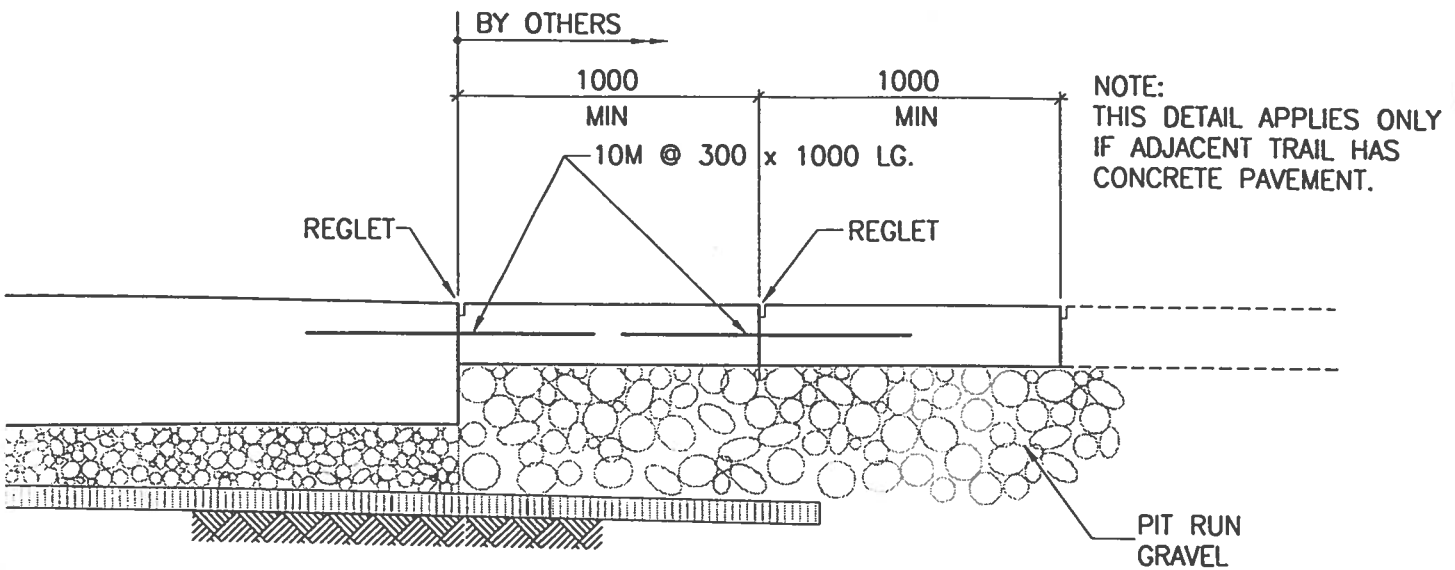
SKETCH No.:

TITLE: SECTION THROUGH FOUNDATION SLAB

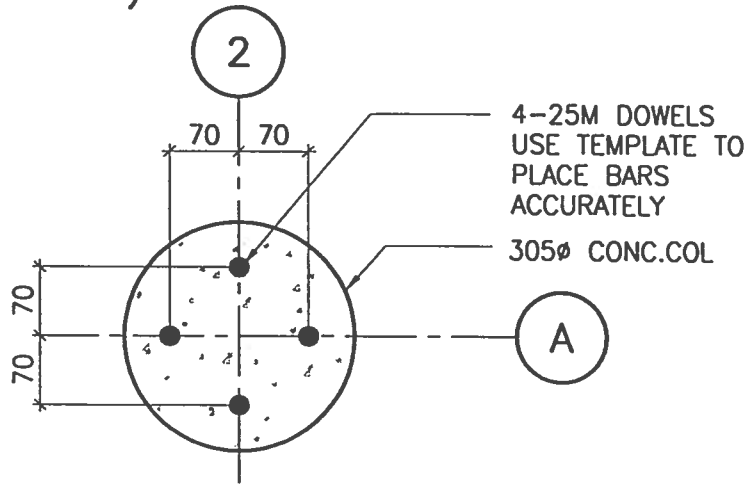
SK-S102

DESIGNED: AM DRAWN: GCB DATE: MAR 26, '98 PROJECT No.: 15370590





2
SK-103 TYPICAL DETAIL AT ADJOINING SIDEWALKS,
PATHWAYS ETC INCLUDING CONCRETE,
PAVER, STONWORK
(BY OTHERS)



3
SK-103 DETAIL
1:10



Trans Canada Trail

| NO | DESCRIPTION | DATE |
|----|-------------|------|
| | | |
| | | |

PROJECT: THE BANTAM MARKER

SKETCH No.:

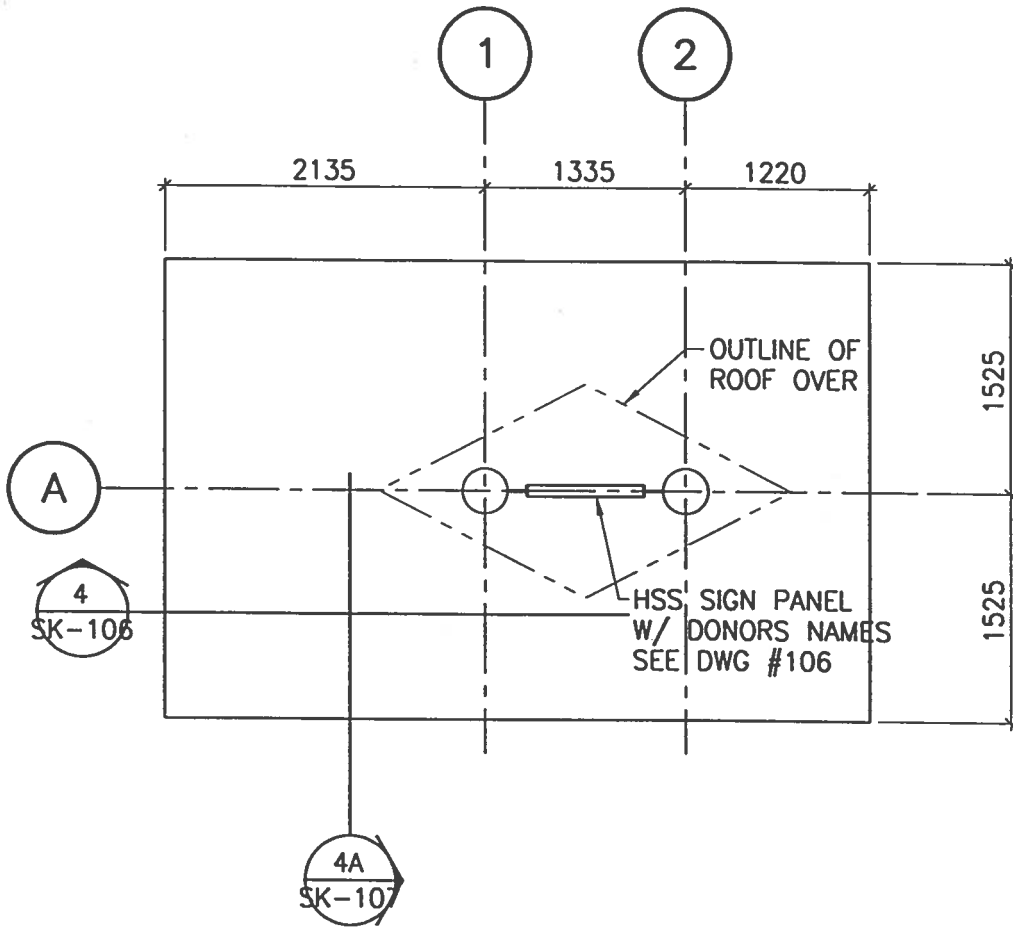
TITLE: DETAILS

SK-S103

DESIGNED: AM DRAWN: GCB DATE: MAR 26, '98 PROJECT No.: 15370590

CAD FILE NAME: C25370590SK-S103





BANTAM TRAIL MARKER SIGN PLAN

1:50



Trans Canada Trail

| NO | DESCRIPTION | DATE |
|----|-------------|------|
| | | |
| | | |

PROJECT: THE BANTAM MARKER

SKETCH No.:

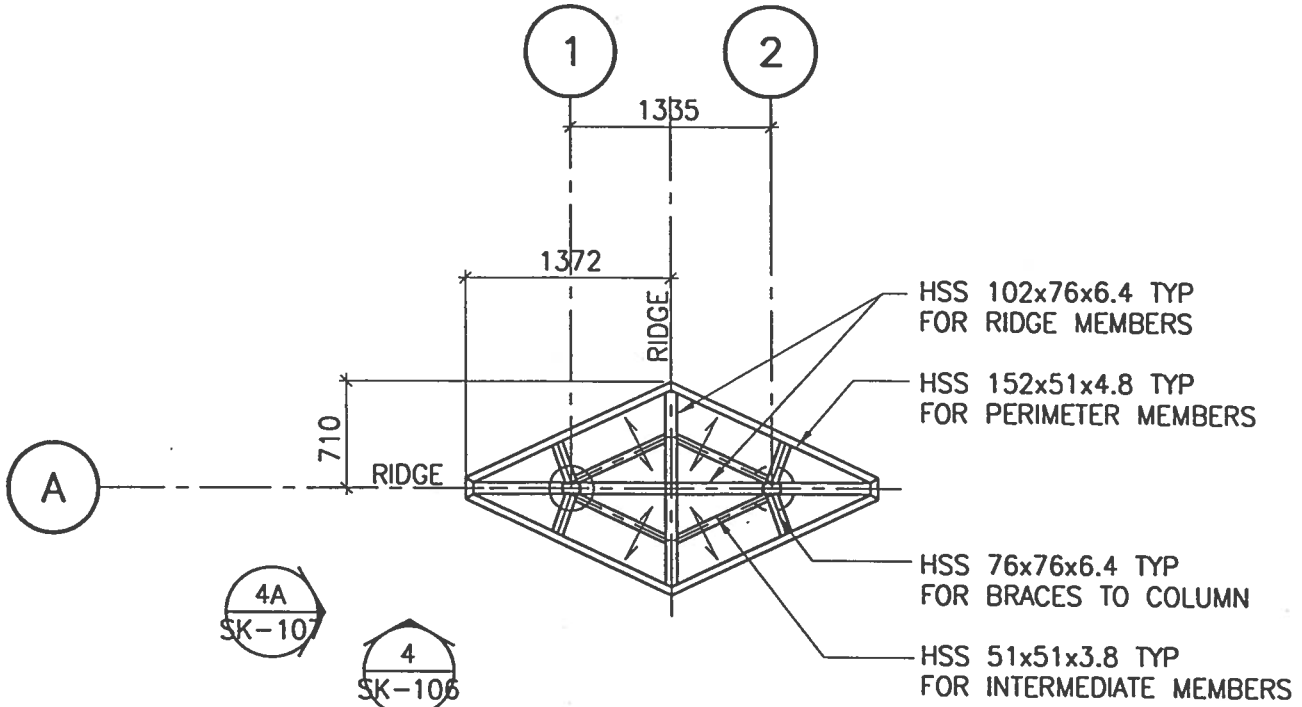
TITLE: SIGN PLAN

SK-S104

DESIGNED: AM DRAWN: GCB DATE: MAR 26, '98 PROJECT No.: 15370590

CAD FILE NAME: C:\5370590\SK-S104





ROOF PLAN
1:50



Trans Canada Trail

| | | |
|----|-------------|------|
| | | |
| NO | DESCRIPTION | DATE |

PROJECT: THE BANTAM MARKER

SKETCH No.:

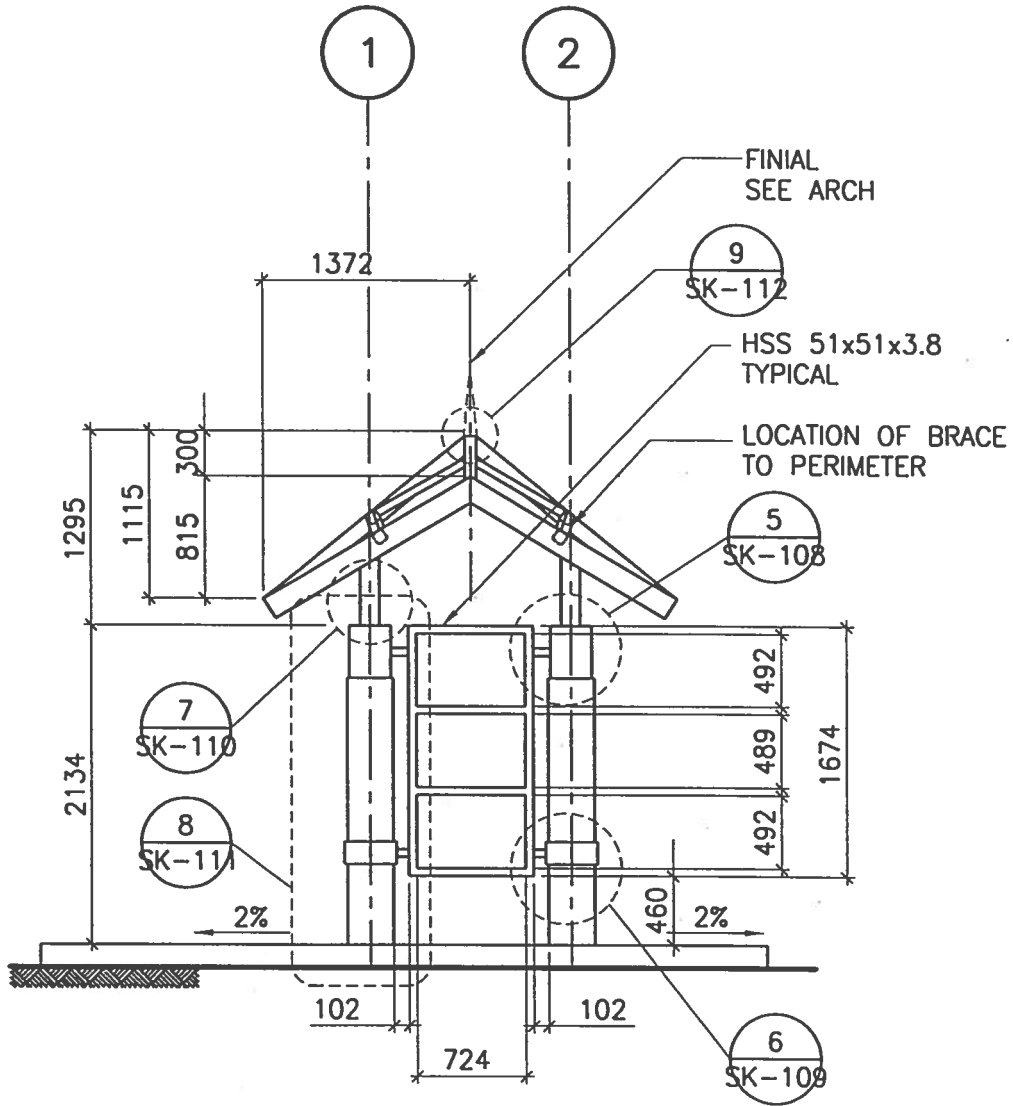
TITLE: ROOF PLAN

SK-S105

DESIGNED: AM DRAWN: GCB DATE: MAR 26, '98 PROJECT No.: 15370590

CAD FILE NAME: C:\S370590SK-S105





4 FRONT ELEVATION
SK-106 1:50



Trans Canada Trail

| | | |
|----|-------------|------|
| | | |
| NO | DESCRIPTION | DATE |

PROJECT: THE BANTAM MARKER

SKETCH No.:

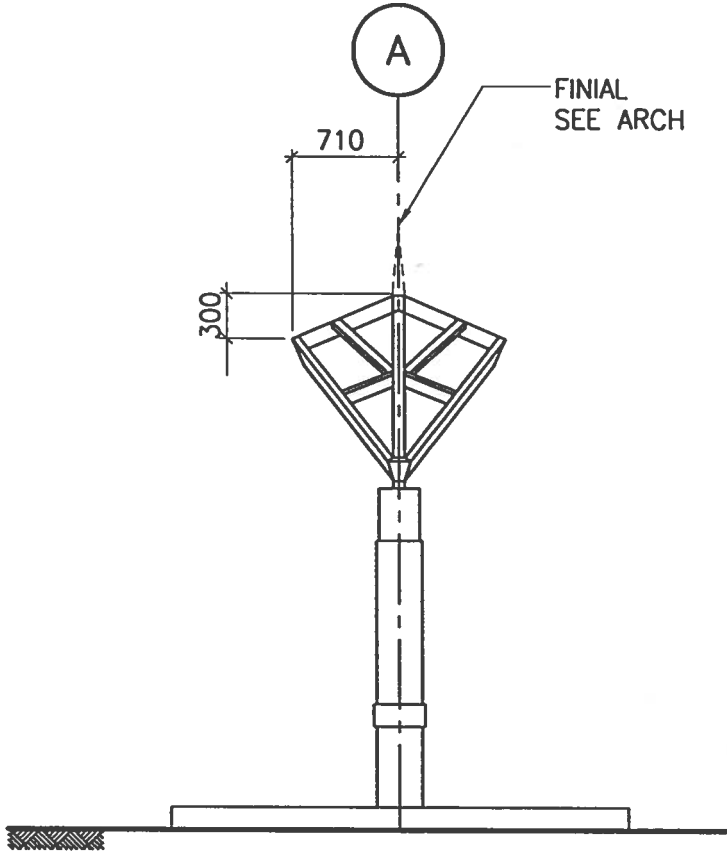
TITLE: MARKER FRONT & REAR ELEVATIONS

SK-S106

DESIGNED: AM DRAWN: GCB DATE: MAR 26, '98 PROJECT No.: 15370590

CAD FILE NAME: C:\S370590SK-S106





4A SIDE ELEVATION
SK-107 1:50



Trans Canada Trail

| NO | DESCRIPTION | DATE |
|----|-------------|------|
| | | |
| | | |



PROJECT: THE BANTAM MARKER

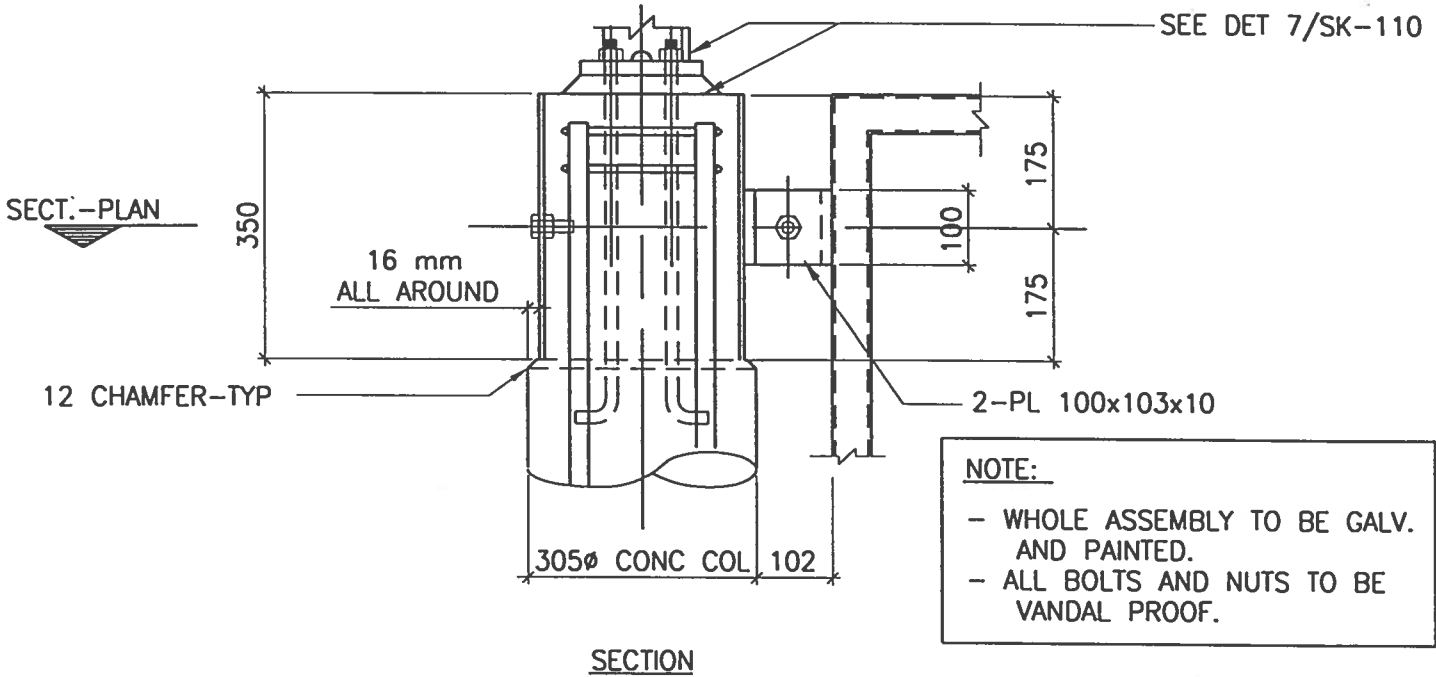
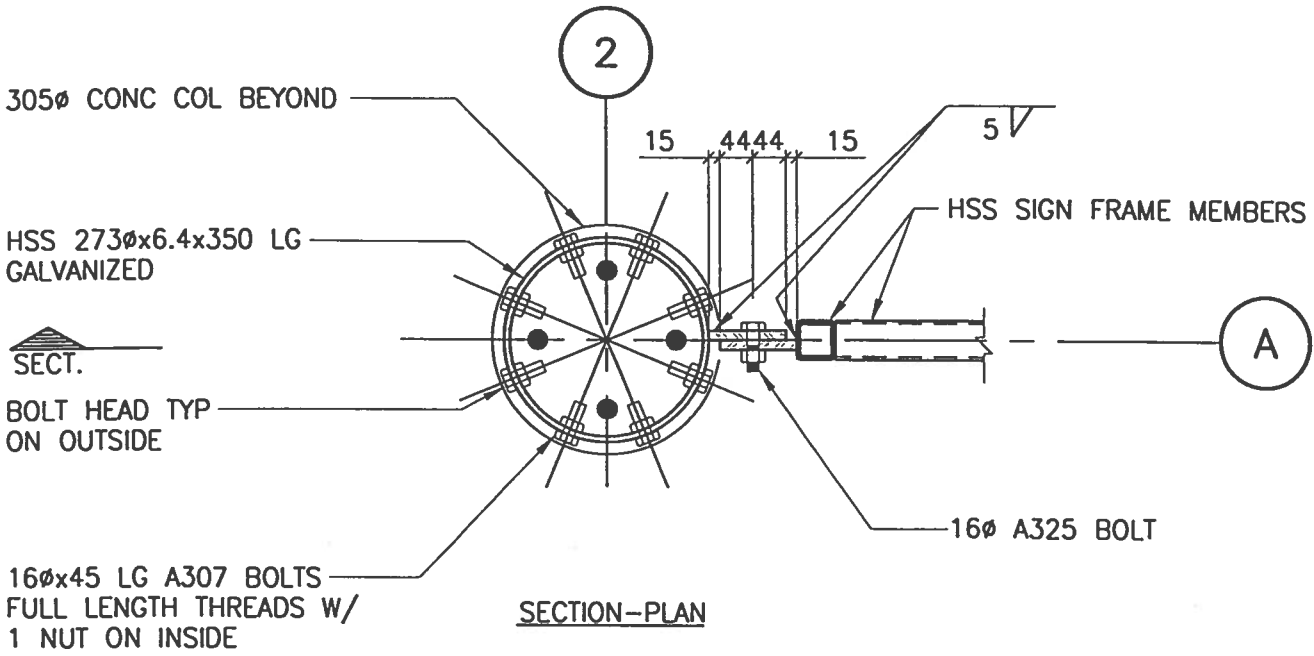
SKETCH No.:

TITLE: MARKER SIDE ELEVATIONS

SK-S107

DESIGNED: AM DRAWN: GCB DATE: MAR 26, '98 PROJECT No.: 15370590

CAO FILE NAME: G:5370590SK-S107



NOTE:

- WHOLE ASSEMBLY TO BE GALV. AND PAINTED.
- ALL BOLTS AND NUTS TO BE VANDAL PROOF.

5 DETAIL @ TOP OF COL
SK-8 1:10



Trans Canada Trail

| | | |
|----|-------------|------|
| | | |
| NO | DESCRIPTION | DATE |



PROJECT: THE BANTAM MARKER

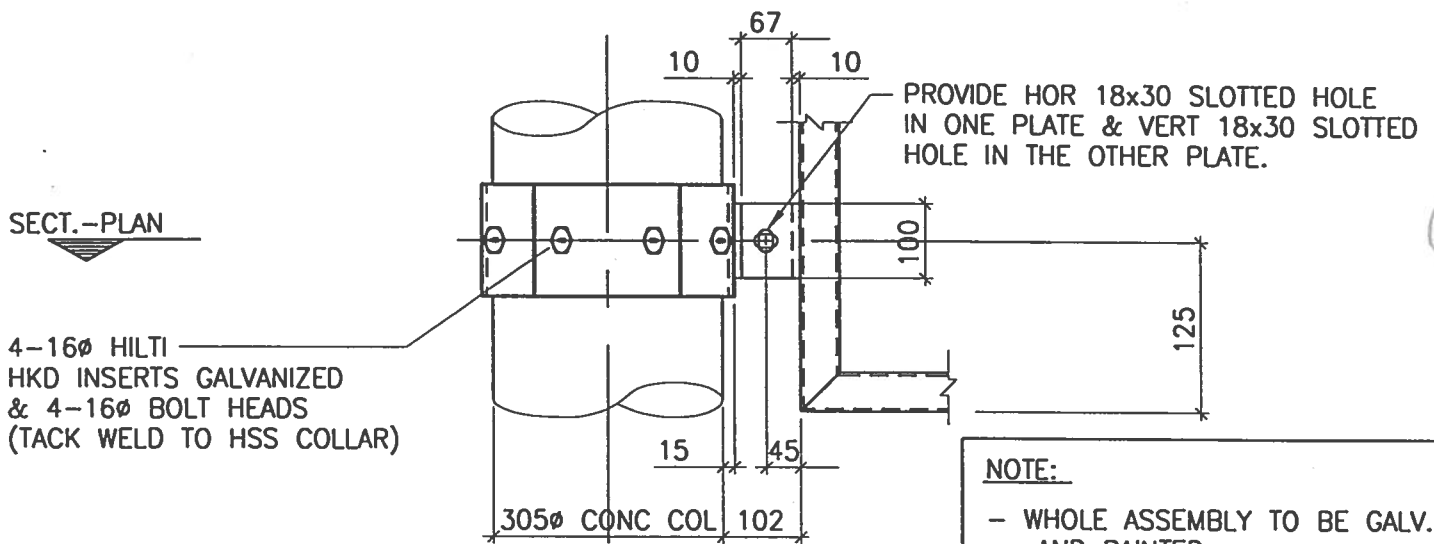
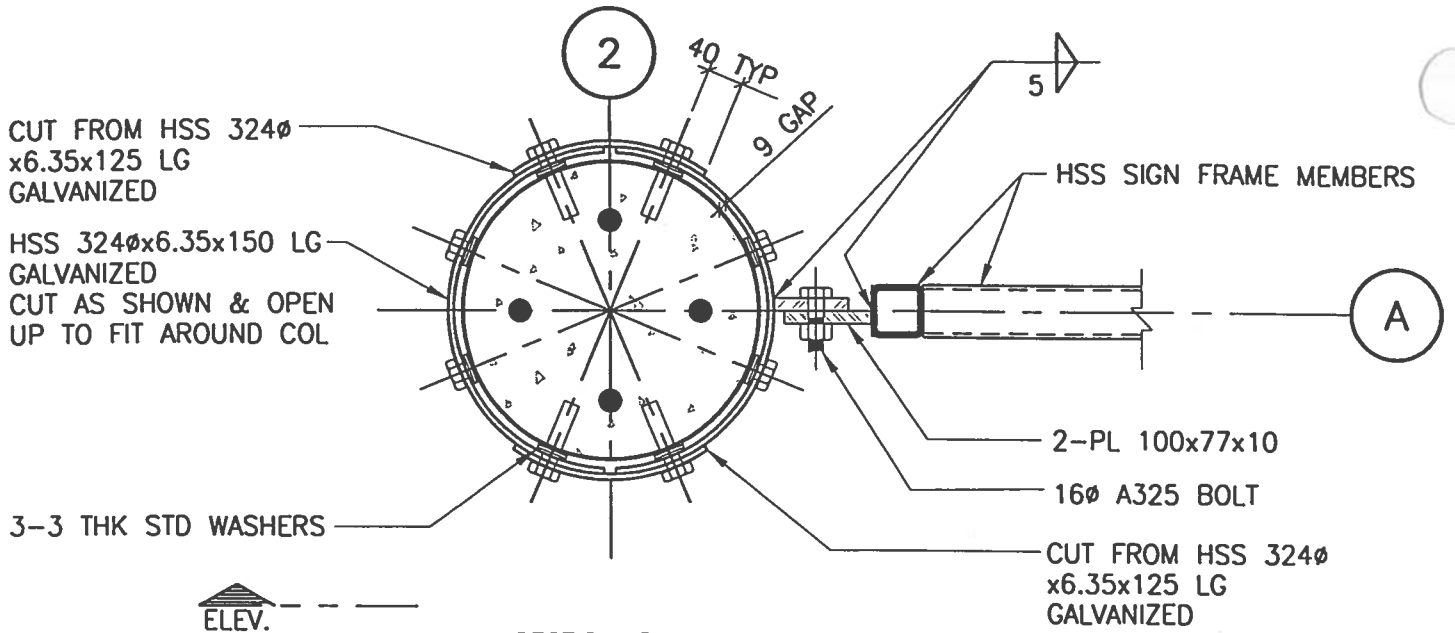
SKETCH No.:

TITLE: TOP OF COLUMN CONNECTION DETAILS

SK-S108

DESIGNED: AM DRAWN: GCB DATE: MAR 26, '98 PROJECT No.: 15370590

CAD FILE NAME: C:\15370590\SK-S108



6
SK-9

DETAIL @ BTM OF COL
AS NOTED



Trans Canada Trail

| NO | DESCRIPTION | DATE |
|----|-------------|------|
| | | |
| | | |



PROJECT: THE BANTAM MARKER

SKETCH No.:

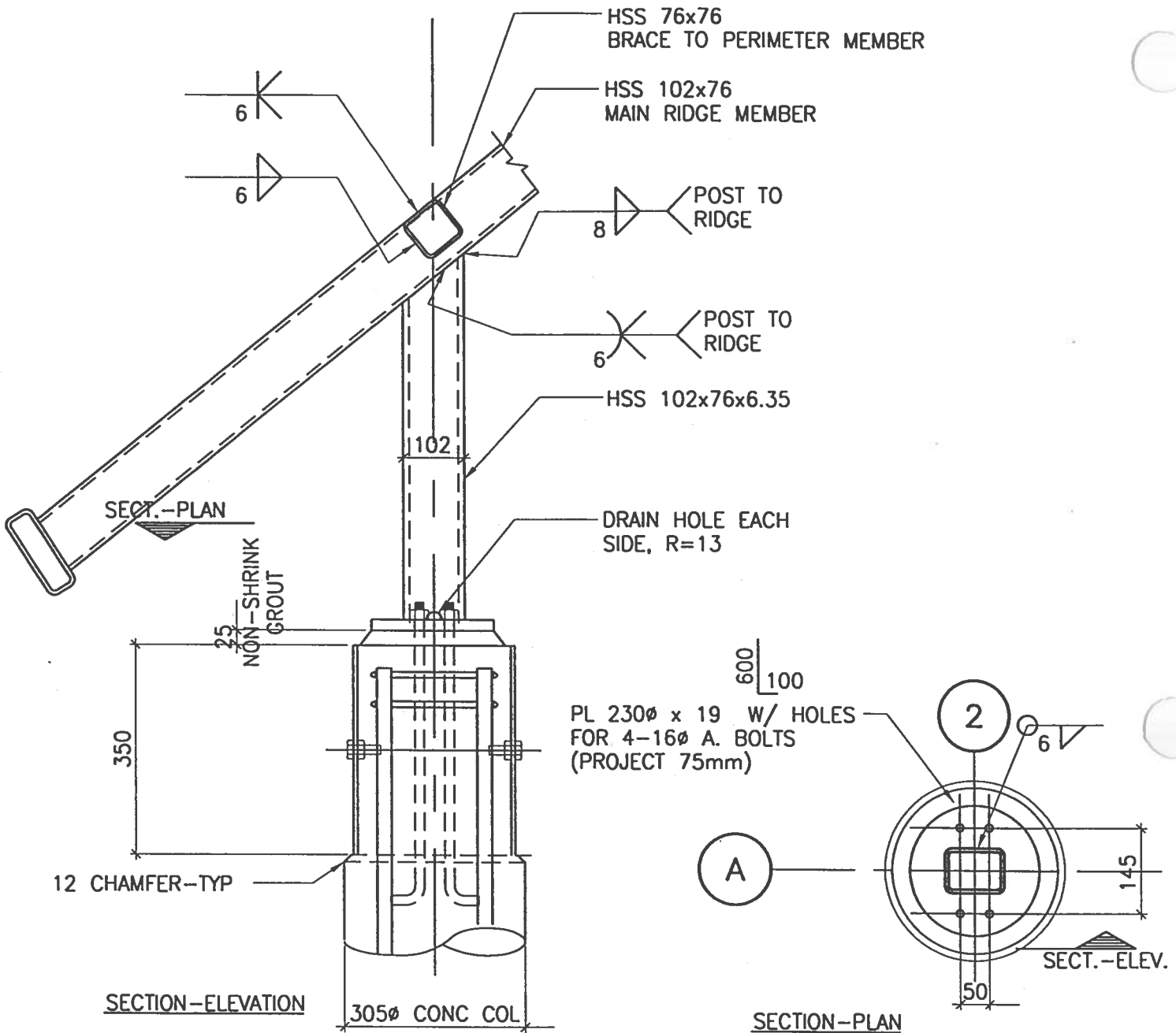
TITLE: BOTTOM OF COLUMN DETAIL

SK-S109

DESIGNED: AM DRAWN: GCB DATE: MAR 26, '98 PROJECT No.: 15370590

CAD FILE NAME: C:\S370590\SK-S109

98 Mar 26 14:18:2 J70590BANTAMSK-S109



7 TOP OF COL CONNECTION DETAILS
 SK-10 1:10



Trans Canada Trail

| | | |
|----|-------------|------|
| | | |
| NO | DESCRIPTION | DATE |

PROJECT: THE BANTAM MARKER

SKETCH No.:

TITLE: ROOF STRUCTURE TO TOP OF COLUMN DETAILS

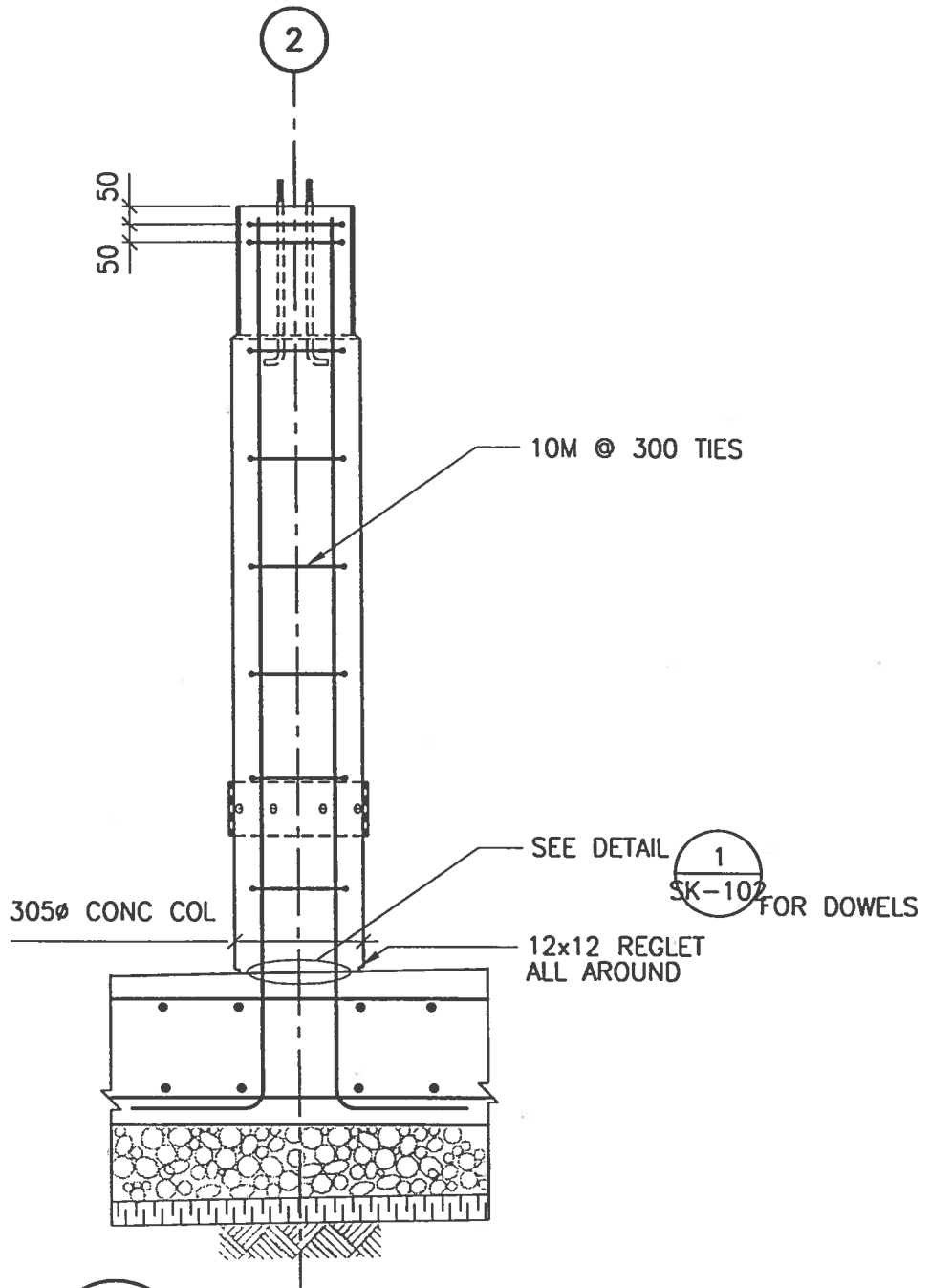
SK-S110

DESIGNED: AM DRAWN: GCB DATE: MAR 26, '98 PROJECT No.: 15370590

CAD FILE NAME: C:\5370590\SK-S110



98 Mar 28 14:15:5 370590\BANTAMSK-S110



8 TYP COL REINF
SK-111 1:20



Trans Canada Trail

| NO | DESCRIPTION | DATE |
|----|-------------|------|
| | | |
| | | |

PROJECT: THE BANTAM MARKER

SKETCH No.:

TITLE: TYPICAL COLUMN REINFORCING

SK-S111

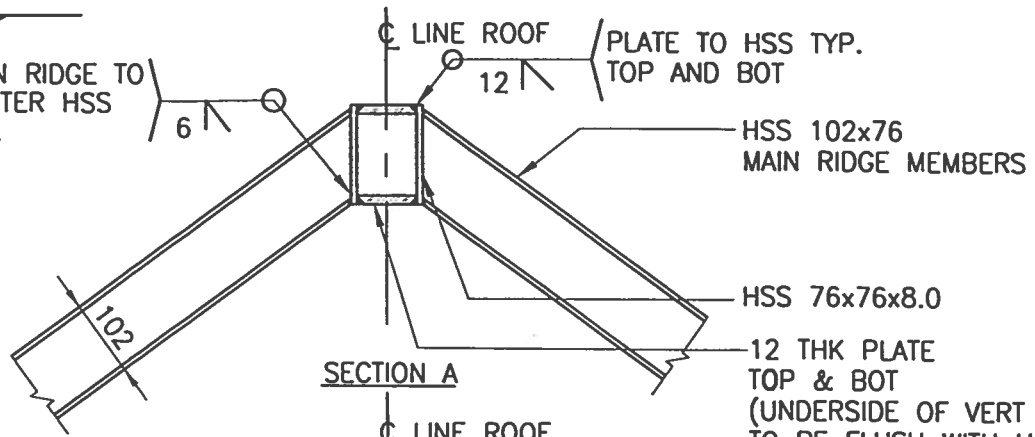
DESIGNED: AM DRAWN: GCB DATE: MAR 26, '98 PROJECT No.: 15370590

CAO FILE NAME: C:\S370590\SK-S111



PLAN

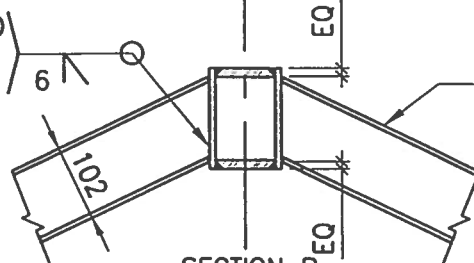
MAIN RIDGE TO CENTER HSS TYP.



SECTION A

C LINE ROOF

CANTILEVER RIDGE TO CENTER HSS TYP.



SECTION B

HSS 102x76 MAIN RIDGE MEMBERS

HSS 76x76x8.0

12 THK PLATE TOP & BOT (UNDERSIDE OF VERT HSS TO BE FLUSH WITH U/S OF SLOPING HSS)

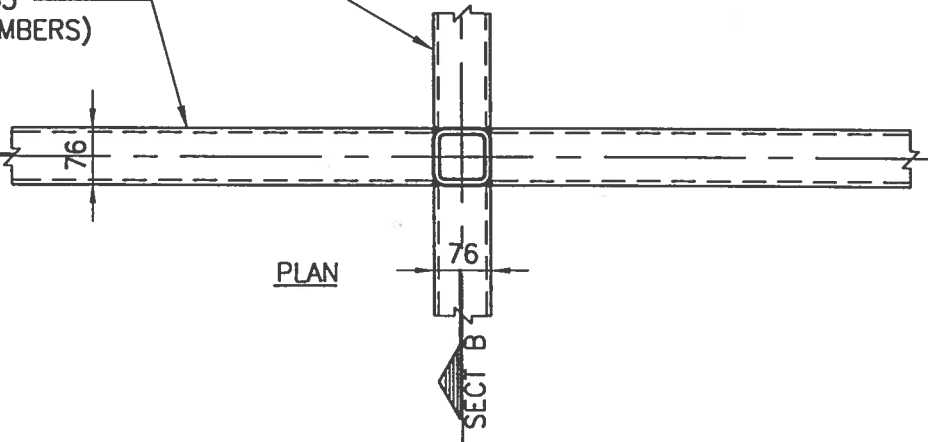
HSS 102x76 CANTILEVER RIDGE MEMBERS

NOTE: ROOF DECK & FINIAL OMITTED FOR CLARITY

HSS 102x76x6.35 (CANTILEVER RIDGE MEMBERS)

HSS 102x76x6.35 (MAIN RIDGE MEMBERS)

SECT A



PLAN

SECT B

9
SK-112

ROOF PEAK DETAIL

1:10



Trans Canada Trail

| NO | DESCRIPTION | DATE |
|----|-------------|------|
| | | |
| | | |



PROJECT: THE BANTAM MARKER

SKETCH No.:

TITLE: ROOF PEAK DETAIL

SK-S112

DESIGNED: AM

DRAWN: GCB

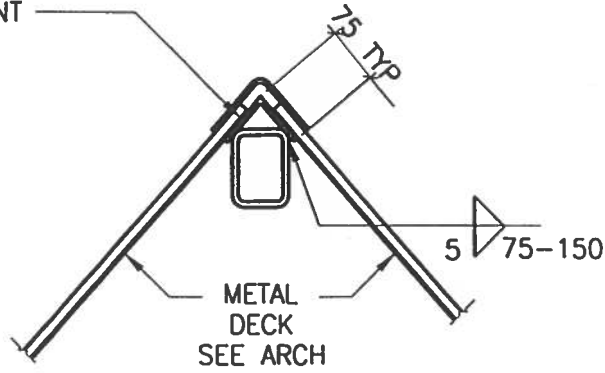
DATE: MAR 26, '98

PROJECT No.: 15370590

CAD FILE NAME: C:\5370590\SK-S112

70590BANTAMISK-S112
38 Mar 26 14:14:4

6 THK BENT PL CONT



11
SK-13

RIDGE PLATE DETAIL

1:10



Trans Canada Trail

| NO | DESCRIPTION | DATE |
|----|-------------|------|
| | | |
| | | |

PROJECT: THE BANTAM MARKER

SKETCH No.:

TITLE: RIDGE PL DETAILS

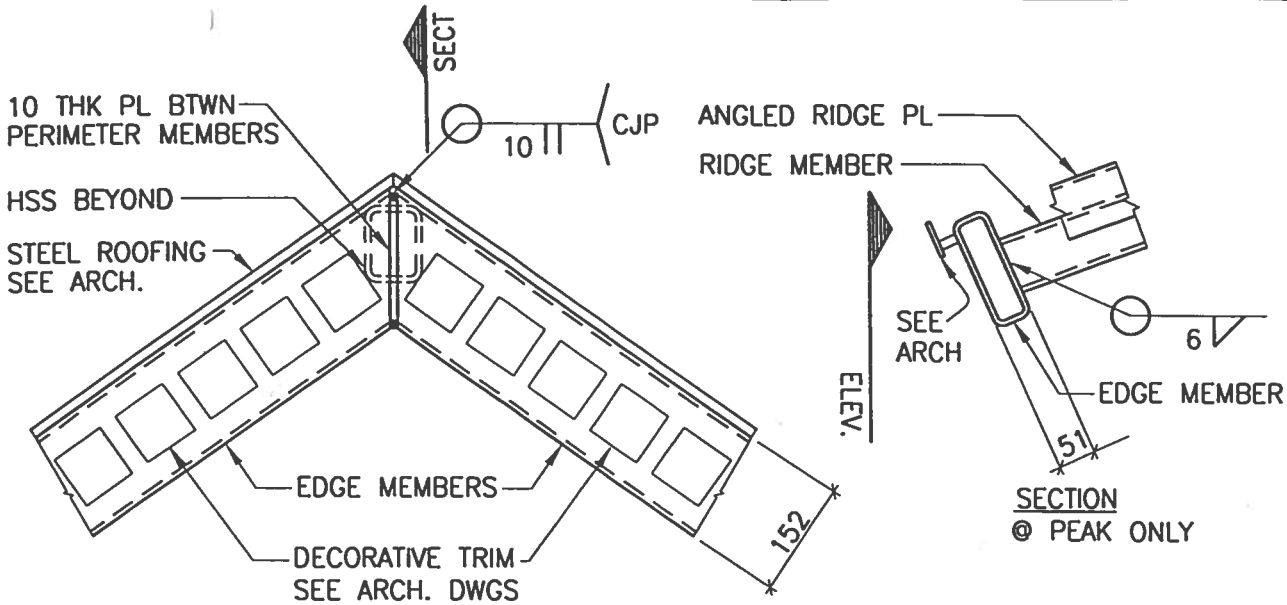
SK-S113

DESIGNED: AM DRAWN: GCB DATE: MAR 26, '98 PROJECT No.: 15370590

CAO FILE NAME: G:\15370590\SK-S113

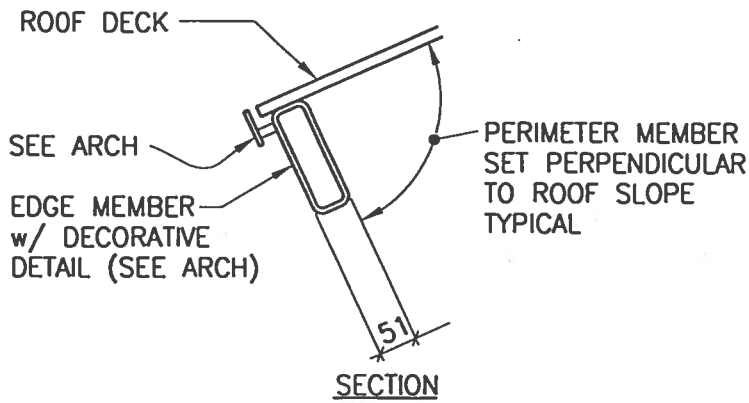


J70590IBANTAMSK-S113
30 Mar 26 14:14:0



ELEVATION

13 PERIMETER MEMBER DETAIL @ RIDGE
 SK-114 1:10



13A PERIMETER MEMBER DETAIL @ EDGE
 SK-114 1:10



Trans Canada Trail

| NO | DESCRIPTION | DATE |
|----|-------------|------|
| | | |
| | | |



PROJECT: THE BANTAM MARKER

SKETCH No.:

TITLE: PERIMETER MEMBER DETAILS

SK-S114

DESIGNED: AM DRAWN: GCB DATE: MAR 26, '98 PROJECT No.: 15370590

CAD FILE NAME: C:\15370590\SK-S114

370590\BANTAM\sk-s114 98 Mbr 26 14:10:

(DESIGN NOTES CONT'D)

STRUCTURAL STEEL

STEEL TO BE FABRICATED AND ERECTED BY A SHOP CERTIFIED BY THE CANADIAN WELDING BUREAU TO THE REQUIREMENTS OF CSA W47.1-92, DIVISION 1 OR 2.1 ONLY.

WELDING TO CONFORM TO CSA W59-M1989.

WELDING TO REINFORCING STEEL ONLY BY A SHOP CERTIFIED TO CSA W186-M1990 WITH REINFORCEMENT CONFORMING TO CSA G30.18-M92, GRADE 400W.

STRUCTURAL STEEL TO CONFORM TO CAN3-G40.21-M92, GRADE 350W FOR HOLLOW STRUCTURAL SECTIONS, GRADE 300W FOR ROLLED SECTIONS AND GRADE 260W FOR PLATES AND ANGLES WITH LEGS LESS THAN 80 mm.

BOLTS TO CONFORM TO ASTM A307 OR FOR HIGH STRENGTH BOLTS CONFORM TO ASTM A325.

SHEAR STUD CONNECTORS TO CONFORM TO ASTM A108-73 APPLIED BY ELECTRICAL RESISTANCE WELDING ONLY.

GRIND ALL EXPOSED WELDS SMOOTH, INCLUDING PAINTED STEEL.

CLEAN, PREPARE AND PRIME ALL STRUCTURAL STEEL AND ANCHOR PLATES. DO NOT PRIME ANCHOR BOLTS OR SURFACES IN CONTACT WITH CONCRETE.

TOUCH-UP FIELD WELDS, CONNECTIONS, ABRASIONS TO MATCH THE SHOP PRIMER.

PAINTING

PREPARE ALL STEEL SURFACES BY BLAST CLEANING TO NEAR WHITE METAL IN ACCORDANCE WITH SSPC-SP10.

PAINTING TO CONFORM TO "STEEL STRUCTURES PAINTING MANUAL" PRODUCED BY THE STEEL STRUCTURES PAINTING COUNCIL.

NON GALVANIZED STEEL:

- 1 COAT, EQUAL TO "PRATT & LAMBERT" EFFECTO RUST INHIBITING PRIMER.
- 2 COATS, EQUAL TO "PRATT & LAMBERT" EFFECTO ENAMEL (FLAT FINISH).

GALVANIZED STEEL:

- 1 COAT, EQUAL TO "PRATT & LAMBERT" GALVANIZED METAL PRIMER.
- 2 COATS, EQUAL TO "PRATT & LAMBERT" EFFECTO ENAMEL (FLAT FINISH).

COLOURS - SEE ARCHITECTURAL DRAWINGS.



Trans Canada Trail

| | | |
|----|-------------|------|
| | | |
| | | |
| NO | DESCRIPTION | DATE |

PROJECT: THE BANTAM MARKER

SKETCH No.:

TITLE: DESIGN NOTES CONT'D

SK-S116

DESIGNED: AM DRAWN: GCB DATE: MAR 26, '98 PROJECT No.: 15370590

